



Follow Me

Bending configurations

Scala 1:1

°06

Support ES double slide door double rail.

144°

126°

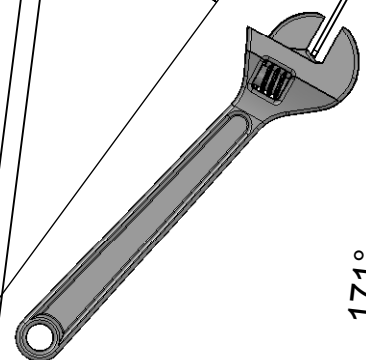
°06

Support telescopic slide door.

151°

119°

90°



36900289

171°

Support ES hinged door.

99°