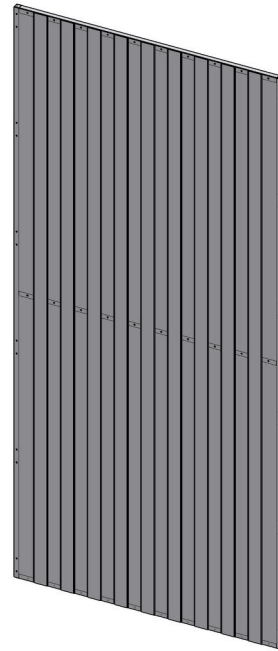


Full Steel Panel UR SP

UR SP Full Steel modular panels are ideal for creating storage areas that keep goods hidden from view. UR SP are constructed with profiled steel plates and are available in a variety of standard heights and widths, making it easy to adapt the wall to a variety of spaces. UR SP panels are part of the same module-based system as our mesh panels and are therefore fully compatible with UR 350 and UX 450.

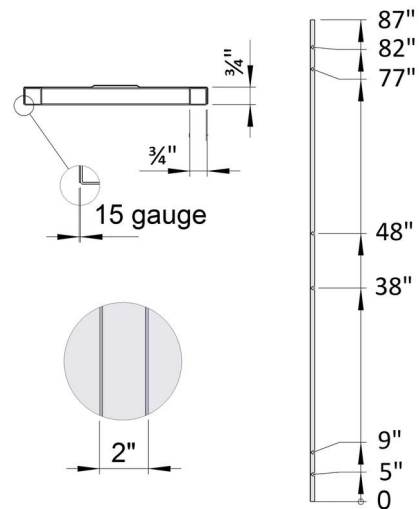


FACTS

Panel Dimensions wall section

Panel Height (inches)	Panel Width (inches)
87"	8"
87"	12"
87"	27 1/2"
87"	31 1/2"
87"	39 1/2"
87"	47"

Steel thickness 15 gauge, tube frame 3/4" x 3/4"



ACCESSORIES

U-profile UR 3/4"x3/4"x87"	various length to use after cut on site
Floor fixing UR	end and middle wall
Roof fixing UR/UX	In length 19 1/2" and 39 1/2"

