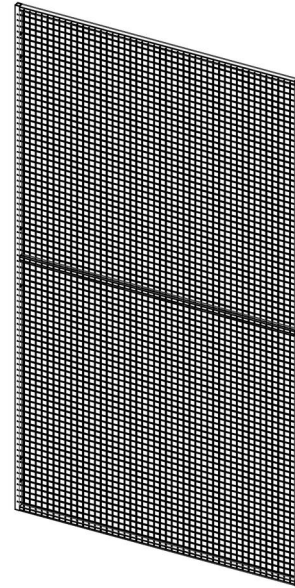


## Mesh Panel UR 325

Caelum mesh partitioning is a modular system available in various widths and heights that is suitable for industrial storage applications. Mesh panels can be modified on-site to fit any space, providing security where required. Panels are constructed with a tubular welded frame that provides added strength. The system is fully demountable and relocatable, and allows natural light and ventilation. Panels are supplied powder coated as standard with a grey RAL 7037 finish; however other RAL colors are available upon request. Panels can also be supplied hot dip galvanized for external use or in cold storage areas.



### FACTS

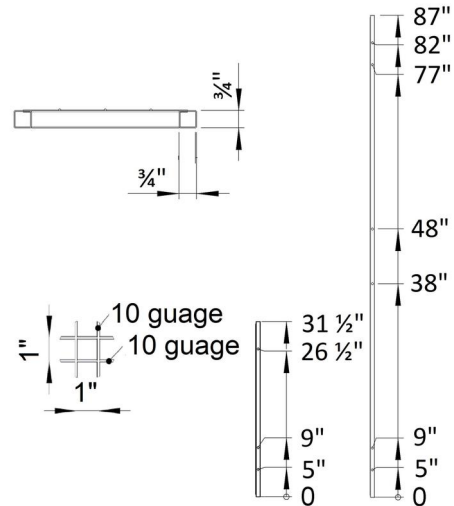
#### Panel Dimensions wall section

Panel Height (inches)	Panel Width (inches)
87"	8"
87"	12"
87"	27 1/2"
87"	31 1/2"
87"	39 1/2"
87"	47"
87"	59"

#### Panel Dimensions top section

Panel Height (inches)	Panel Width (inches)
31 1/2"	8"
31 1/2"	12"
31 1/2"	27 1/2"
31 1/2"	31 1/2"
31 1/2"	39 1/2"
31 1/2"	47"
31 1/2"	59"

Mesh size: 1"x1", tube 3/4" x 3/4", wire 10 guage



### ACCESSORIES

Cut profile	various length to use after cut height on site
END profile UR/UX L=87"	various length to use after cut length on site
U-profile UR 3/4"x3/4"x87"	various length to use after cut on site
Floor fixing UR	end and middle wall
Roof fixing UR/UX	In length 19 1/2" and 39 1/2"

