

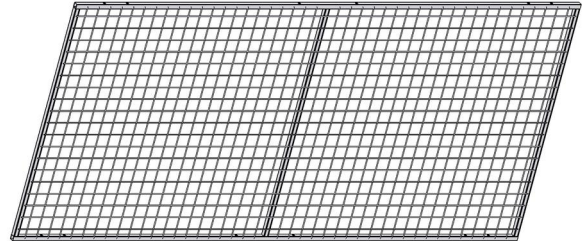
## Mesh Panel UR 350

UR 350 panels have a mesh aperture of 2"x2" and are an ideal solution for providing a secure work environment. Panels are constructed of steel mesh that is welded to a tubular frame, giving supreme protection against falling goods from pallet racks.

The Musca Pallet Rack Backing System is an effective way to protect walkways and pallet rack aisles from unnecessary accidents.

Panels are available in 3 heights from 27 1/2" to 59" and widths of 87" or 43 1/2"

Troax can supply mesh panels and systems in any color or Hot Dip Galvanized. Our Grey standard color creates the best condition for high visibility over the safety zone.

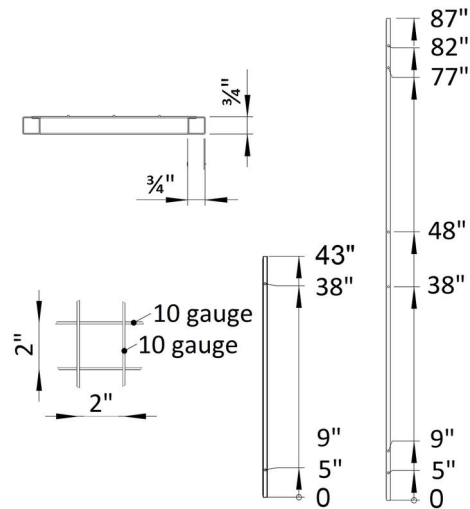


### FACTS

#### Panel Dimensions

Width (inches)	Height (inches)
87"	59"
87"	47"
87"	27 1/2"
43 1/2"	59"
43 1/2"	47"
43 1/2"	27 1/2"

Mesh size: 2"x2", tube 3/4" x 3/4", wire 10 gauge, Standard color: Grey RAL 7037



### ACCESSORIES

Cut profile	various lengths to cut panels on sight
Kit Musca panels	Bolts, nuts and washers for panels
Kit Musca high assembly	For screen that is higher than racking
Kit Musca bracket	10pcs Screenpanel clamps

See separate product sheet Musca Pallet Rack Backing System for available brackets to attach to pallet rack

