

## Anti-Collapse System for pallettracking

The Anti collapse system prevents any risk of overloading in high stacking situations. A very flexible system that is vital for secure stacking and loading in all kinds of pallet racks, from the smallest application up to very big automated warehouse.

Uni-Bracket and Ultima bracket comes in many different levels of stand-off to palletrack, from 0 up to 400 mm.

Panels available are UR 300, UR 325 and UR 350



### ANTI COLLAPSE SYSTEM

#### Panel options

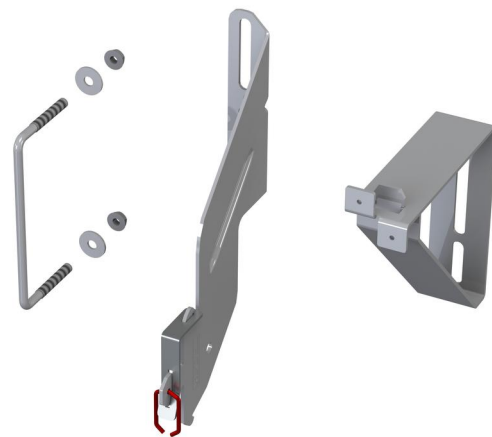
Panel	Dimensions (mm)
UR300	Mesh size 50x100, tube 19x19, wire 2,5x2,5
UR350	Mesh size 50x50, tube 19x19, wire 2,5x2,5
UR325	Mesh size 25x25, tube 19x19, wire 2,5x2,5

#### Uni-bracket

Bracket, stand-off	Finish
U-bracket 0 mm	pre-galvanized
Uni-bracket 50 mm	pre-galvanized
Uni-bracket 100 mm	pre-galvanized
Uni-bracket 150 mm	pre-galvanized
Uni-bracket 200 mm	pre-galvanized
Uni-bracket 250 mm	pre-galvanized
Uni-bracket 300 mm	pre-galvanized
Uni-bracket 400 mm	pre-galvanized

#### Ultima bracket

Bracket, standoff	Finish
Ultima 150 mm	RAL 7037 or Hot dip galv.
Ultima 210 mm	RAL 7037 or Hot dip galv.



### ACCESSORIES

Kit ACL panel	Bolts, nuts and washers for 20 panels
Kit ACL clamp	10pcs of clamp 17x39 and fastening
Kit ACL high assembly	For screen that is heigher then racking
Cut profile	Various lengths to cut panels on site
Kit Uni-bracket	Bolts, nuts and washers for 20 brackets
Kit Speed bolt	10pcs of Speed bolt M6x32
Kit Uni-bracket secure	Clips and wires for 10 Uni-brackets

