

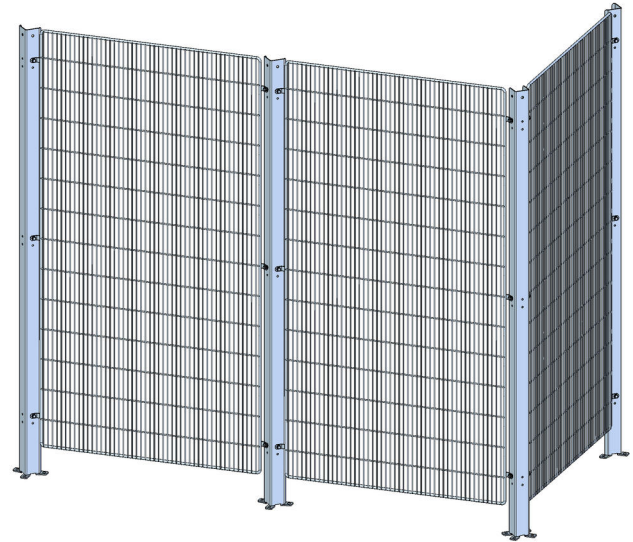
## Hygienic Machine Guarding

High-Line from NTF-Aalborg by Troax is a hygienic modular system in stainless steel, designed to combine hygiene and safety.

Based on open profiles and a welded net without horizontal surfaces it ensures effective and hygienic cleaning, making it very suitable for the food and pharmaceutical industry.

The system is tested to withstand an impact test of 1600 joules and meets the requirements of the Machinery Directive as the components are held captive in the guard even when the system is disassembled.

It's constructed entirely in AISI 304 and can be supplied in AISI 316 upon request.



### FACTS

#### System Posts

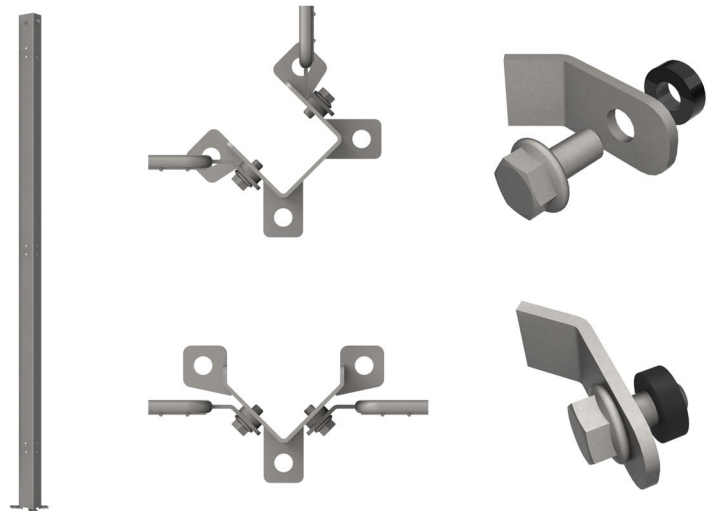
##### Post Stainless Steel

2000 mm height, V-profile for linear assembly  
2000 mm height, U-profile for corners and doors

System height 2500 mm and 2700 mm available on request.  
Floor distance 130 mm.

#### System brackets

All fixings are flange bolts and spacers



#### System Panels

Mesh panel widths mm	1000/600/300
Sliding door panel width mm	1000
Hinged door panel width mm	1000

Panel height 1870 mm. Mesh size 135x20 mm, wire 3x4 mm

