

## Solenoid Interlock

The AZM200 is a monitored guard locking system with easy and intuitive operation. With self-monitoring series-wiring of 31 sensors and a 3 LEDs to show operating conditions it's suitable for environments with tough safety requirements. Equipped with a one-hand escape release exit that functions even in de-energised condition.

With a special Troax bracket, the AZM200 is easily fitted to both hinged- and sliding doors.

The lock complies with Performance Level e (Guard Locked) in accordance with EN ISO 13849-1 or SIL3 in accordance with EN 62061.



## FACTS

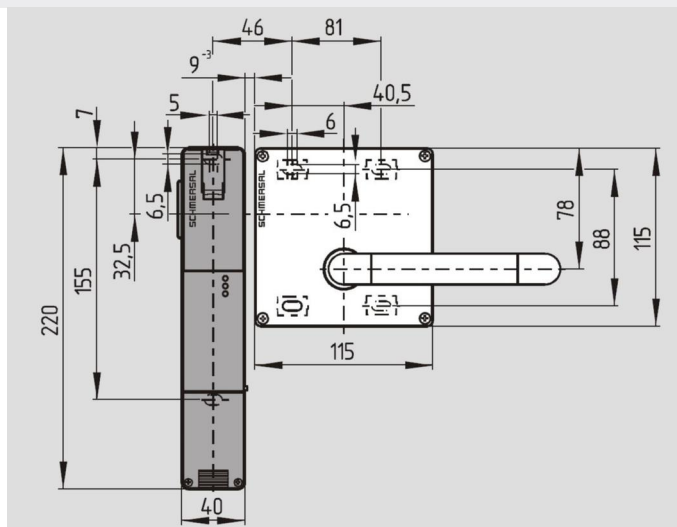
### Dimensions Actuator (approx.)

#### W x H x D

115 mm x 115 mm x 60 mm

Easily mounted to the following door types;

- hinged door
- double hinged door
- sliding door
- double sliding door
- double rail sliding door
- linear door
- telescopic door
- folding door
- sliding door on wheels



## SAFETY SWITCHES

For more options and technical information visit;

[www.schmersal.net](http://www.schmersal.net)

Item number AZ/AZM 200-B30-LTAG1P1