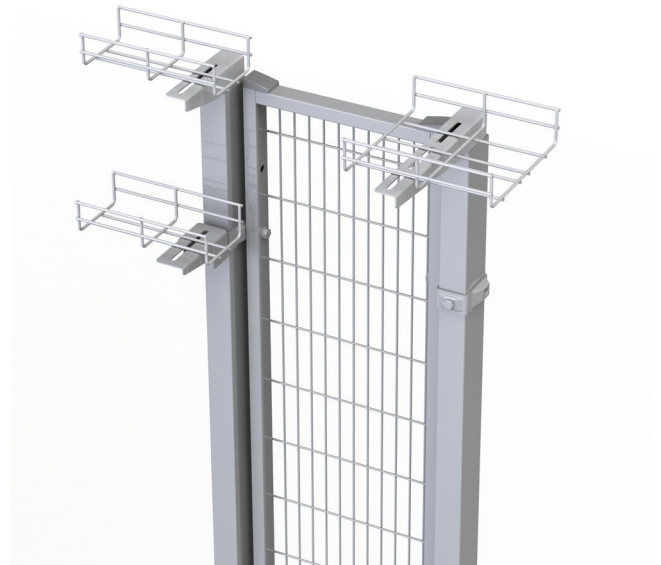


## Wire tray console system

The wire tray system is easily fit to Troax machine guard. The consoles are available in two sizes to fit a wider and a smaller variant of wire tray. You can fit the console to either our standard 60x40 posts or the stronger 80x80 posts. Or use the variant that fits to the Smart Fix bracket, to get a flexible installation on the posts.

The wire trays are available as standard in two sizes; 100 mm and 200 mm wide x2200 mm long. The trays are easily cut on site using a bolt cropper, to fit in corners and endings.



### FACTS

#### Consoles

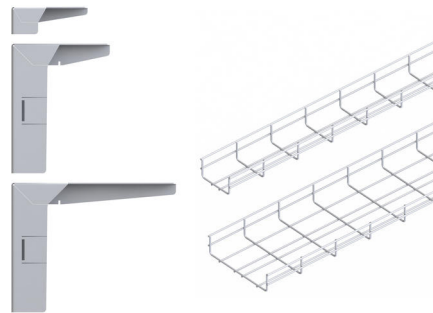
Article number	Description
89100192	Wire Tray SmF Console 100
89100190	Wire Tray Post Console 100
89100191	Wire Tray Post Console 200

Consoles are made of zinc plated steel

#### Wire Trays

Article number	Description
89100193	50x100x2200 mm
89100194	50x200x2200 mm

Wire trays are made of zinc plated steel



### FIXING PARTS

console fixing

wire tray connector

wire tray corner fixing

wire tray vertical fixing

wire tray accessories fixing

