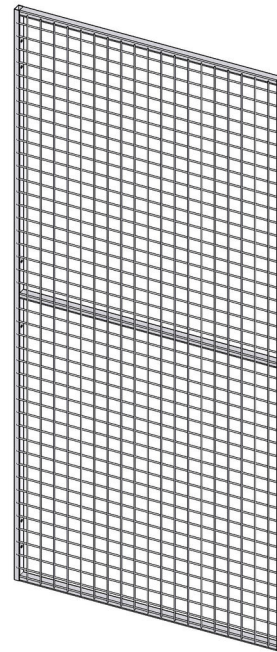


Mesh Panel UX 450

UX 450 is a strong mesh wall with a good protection against burglary. Troax UX 450 is primarily used as a front wall in areas with already reasonable outer protection. UX 450 is compatible with UR 350 and UX 550. The Troax modular mesh panel system makes it possible to create separate storage areas in virtually any common space. The 50x50 mesh aperture also makes it virtually impossible for a hand to reach through the mesh.

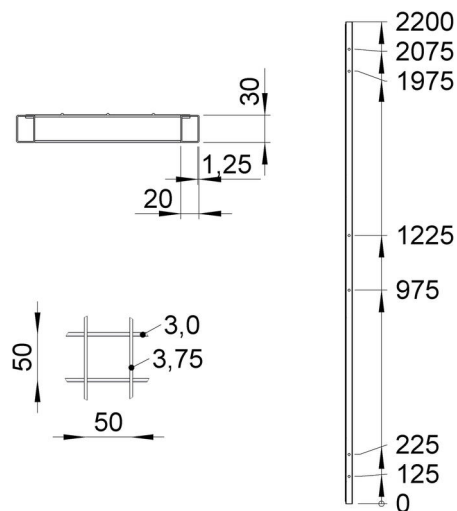


FACTS

Panel Dimensions

Panel Height (mm)	Panel Width (mm)
2200	200
2200	300
2200	500
2200	700
2200	800
2200	1000
2200	1200
2200	1500

Mesh size: 50x50 mm, tube 30x20 mm, wire 3x3,75 mm



ACCESSORIES

Cut profile	various length to use after cut height on site
End profile UR/UX L=2200	to use after cut panel length on site
U-profile UX 30x20x2200	various length to use after cut on site

