

Self Storage door system

Troax supply and install both swing doors, and roller doors. The style, color and configuration are designed to complement corridor systems, and client branding themes.

Roller Doors are prefinished in our clients chosen color and are available in widths from 900mm up to 3000mm. The rollup doors tension bracket allows quick, safe, and unlimited adjustments to the door, pull cords and handles are included.

Swing doors are similarly prefinished, corrugated panel. A flush faced steel finish can also be supplied. Standard door widths within the industry are 900mm, option from 750mm up to 1000mm can be supplied upon request.



FACTS

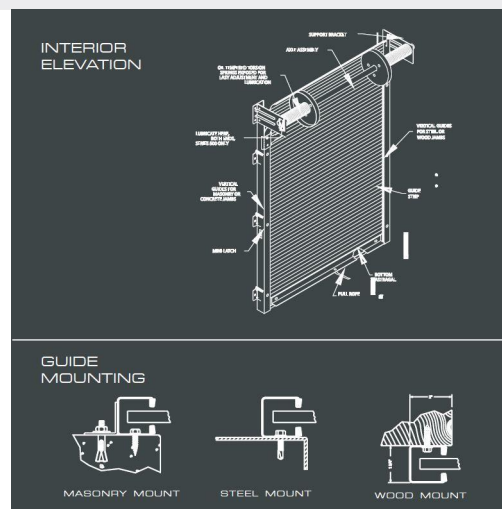
Dimensions rollup door

Max Height (mm)	Max Width (mm)
3000	3000

Dimensions swing door

Max Height (mm)	Max Width (mm)
2250	1000

Latches available for both door types are cylinder lock and padlock. Standard option latch in stainless steel.



DETAILS

roller door



roller door



Swing door

