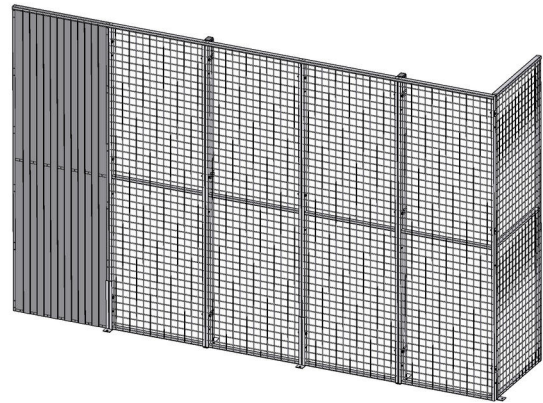


Caelum modular mesh system

Caelum is a modular mesh panel system that is specifically designed for factory and warehouse division. The system's flexibility makes it a very cost-effective solution. The system is available in various security configurations and is easy to assemble. Panels are constructed using strong, durable steel frames. Available in different security levels, UR325, UR350, UX450 and fullsteel UR SP. Troax also offers a variety of posts and fixings for attaching panels to the floor and ceiling.



FACTS

System Post

Post 60x40x1,5 mm

2200 mm Height
3000 mm Height

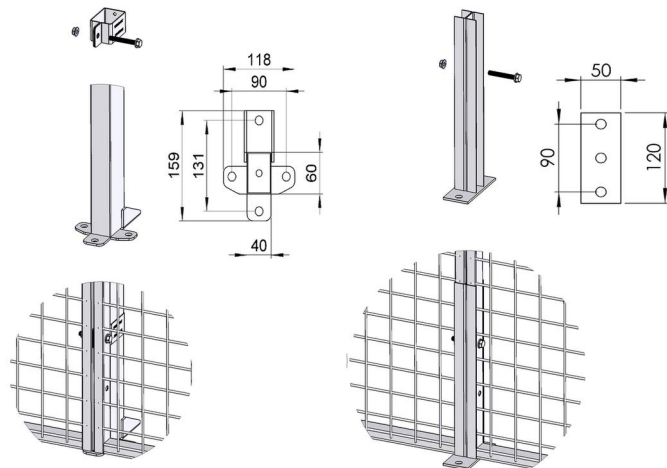
System foot

Floor fixing

UX floor fixing middle wall
UX floor fixing end wall
UR floor fixing middle wall
UR floor fixing end wall

System fixings

Bracket for post 60x40
Bolt M8x55 Tensi
Bolt M8x35
Flanged nut M8



System panels

UR325
UR350
UX450
Fullsteel UR SP

