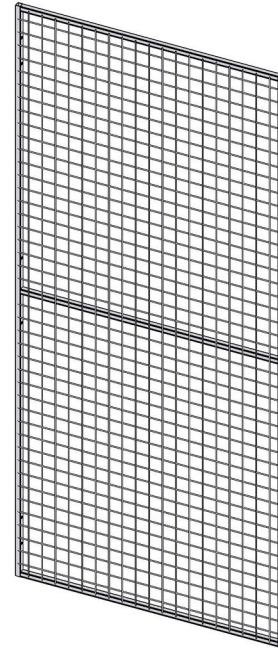


Mesh Panel UR 350

The UR350 panel system from Troax is a light-duty, modular mesh system that is suitable for creating added storage within a well protected environment. The system is ideal for creating inner partitioning walls within a secure storage application when used in conjunction with the Troax UX 450 & 550 panels. It can also be used on its own for applications where a lesser degree of security is required. The 50 x 50mm mesh aperture also makes it difficult for a hand to reach through the panel.

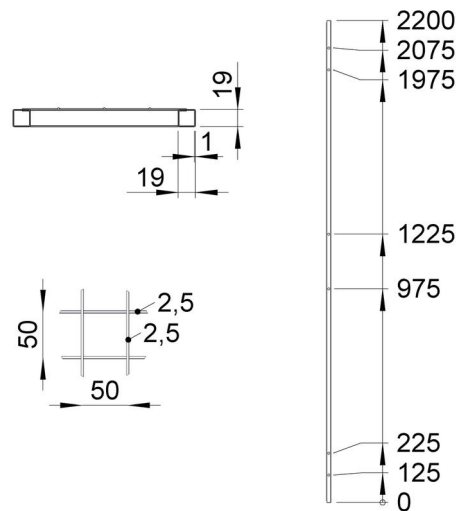


FACTS

Panel Dimensions

| Panel Height (mm) | Panel Width (mm) |
|-------------------|------------------|
| 2200 | 200 |
| 2200 | 300 |
| 2200 | 500 |
| 2200 | 700 |
| 2200 | 800 |
| 2200 | 1000 |
| 2200 | 1200 |
| 2200 | 1500 |

Mesh size: 50x50 mm, tube 19x19 mm, wire 2,5x2,5 mm



ACCESSORIES

| | |
|--------------------------|--|
| Cut profile | various length to use after cut height on site |
| End profile UR/UX L=2200 | to use after cut panel length on site |
| U-profile UR 19x19x2200 | various length to use after cut on site |

