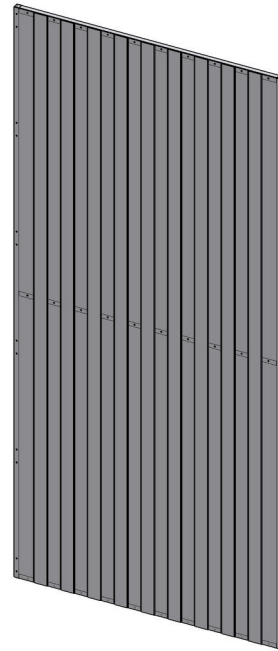


## Full Steel Panel UR SP

UR SP Full Steel modular panels are ideal for creating storage areas that keep goods hidden from view. UR SP are constructed with profiled steel plates and are available in a variety of standard heights and widths, making it easy to adapt the wall to a variety of spaces. UR SP panels are part of the same module-based system as our mesh panels and are therefore fully compatible with UR 350 and UX 450.

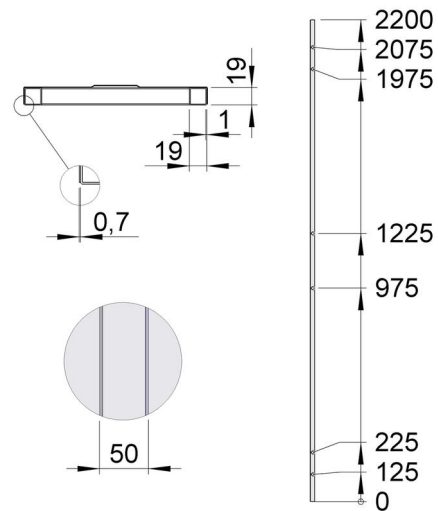


### FACTS

#### Panel Dimensions wallsection

Panel Height (mm)	Panel Width (mm)
2200	200
2200	300
2200	700
2200	800
2200	1000
2200	1200

Steel thickness 0,7 mm, tube 19x19 mm



### ACCESSORIES

Cut profile	various length to use after cut height on site
END profile UR/UX L=2200	various length to use after cut length on site
U-profile UR 19x19x2200	various length to use after cut on site
Floor fixing UR	end and middle wall
Roof fixing UR/UX	In length 500 and 1000 mm

