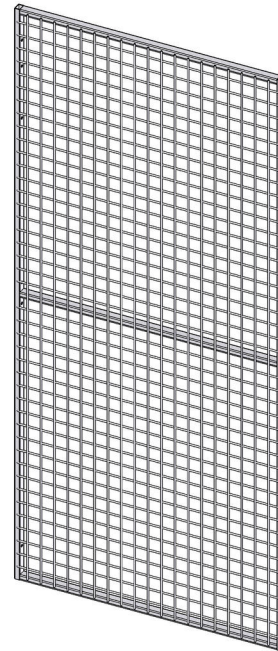


Mesh Panel UX 550

UX 550 is the most heavy-duty of our panel systems. Special profiles are used for installation to prevent even the slightest chance of prying the wall sections apart. The system is tested and approved in-line with pre-standard EN1627-30. Troax UX 550 is primarily used as a front wall where extra security is needed. UX 550 is compatible with UR 350 and UX 450 for inner walls. Troax modular mesh panel system makes it possible to create separate storage areas in virtually any common space. The 50x50 mesh aperture also makes it virtually impossible for a hand to reach through the panel

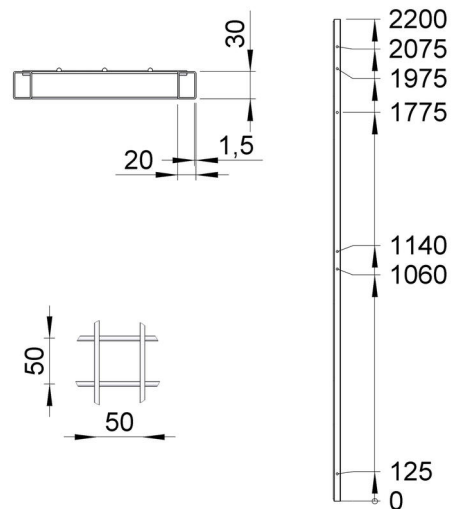


FACTS

Panel Dimensions

Panel Height (mm)	Panel Width (mm)
2200	200
2200	300
2200	700
2200	800
2200	1000
2200	1200
2200	1500

Mesh size: 50x50 mm, tube 30x20 mm, wire 5x5 mm



ACCESSORIES

Cut profile	various length to use after cut height on site
End profile UR/UX L=2200	to use after cut panel length on site
U-profile UX 30x20x2200	various length to use after cut on site

