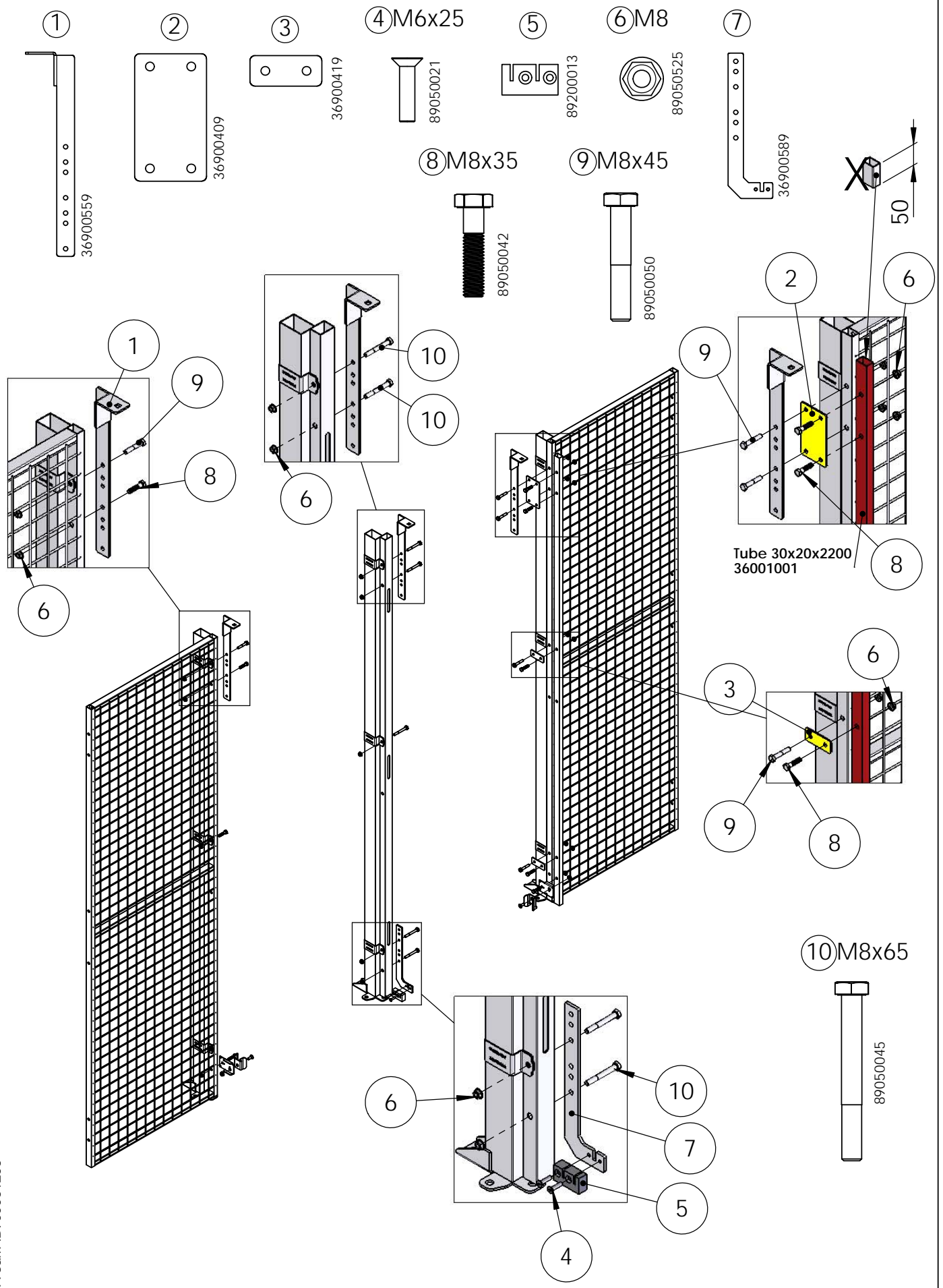


# Caelum UX450 P

## slide door double rail

C

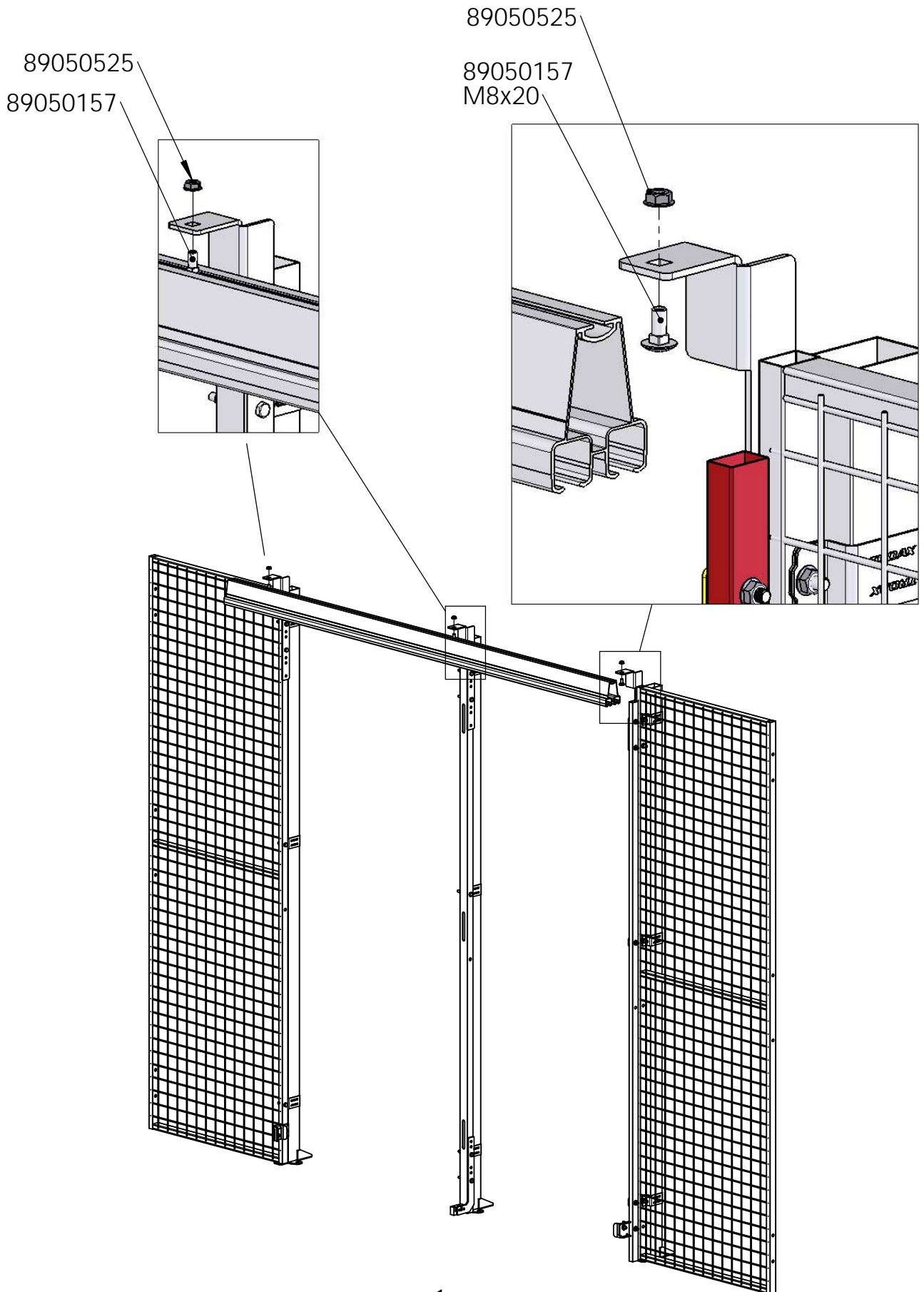
Follow Me



# Caelum UX450 P

## slide door double rail

Follow Me



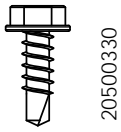
# Caelum UX450 P

## slide door double rail

F

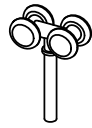
Follow Me

①  $\text{Ø}4,2 \times 13$

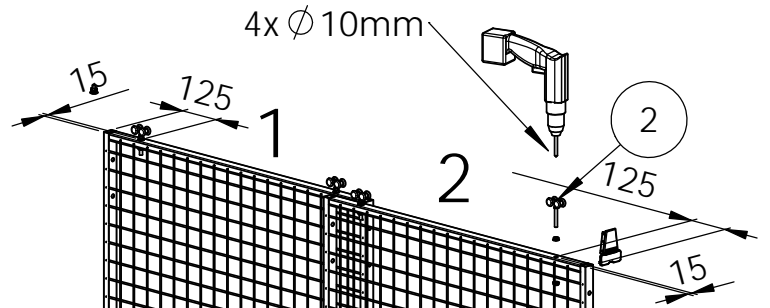


20500330

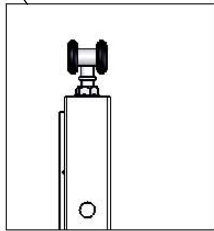
②



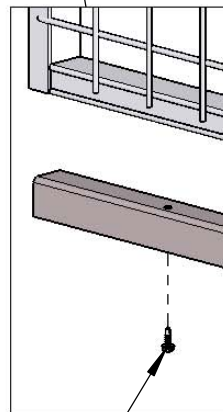
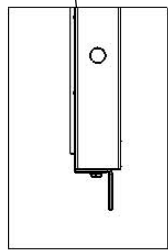
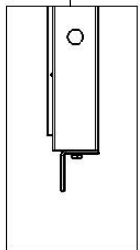
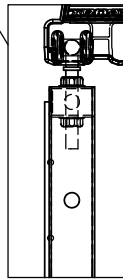
89051500



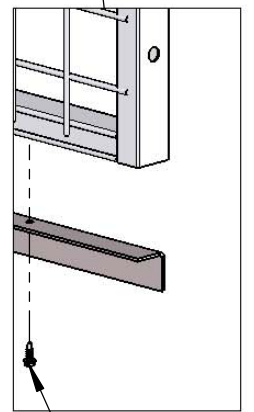
1



2



1



1

# Caelum UX450 P

slide door double rail

① M8x35



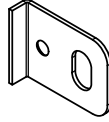
89050138

② M8

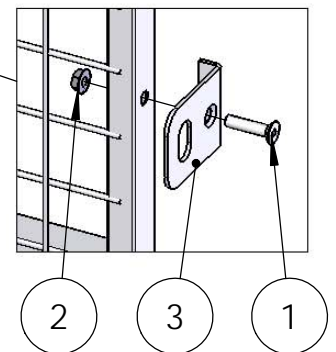
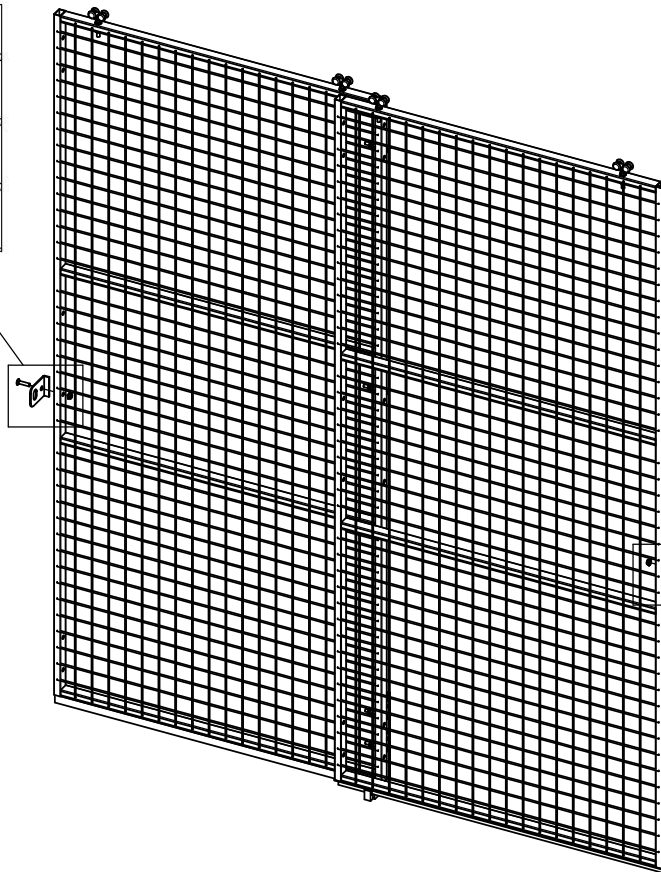
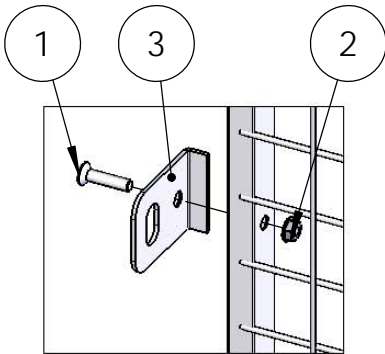


89050525

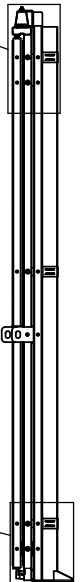
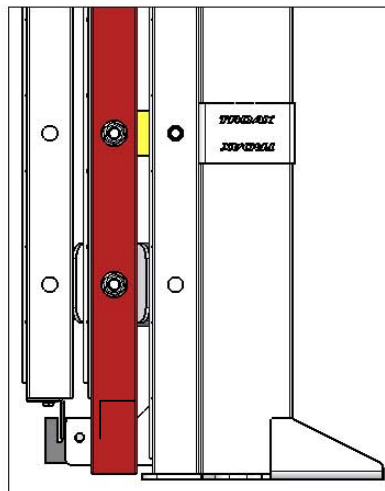
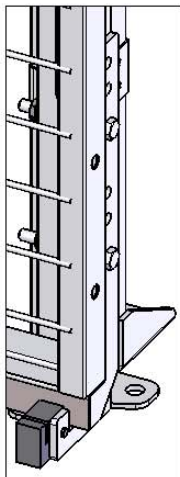
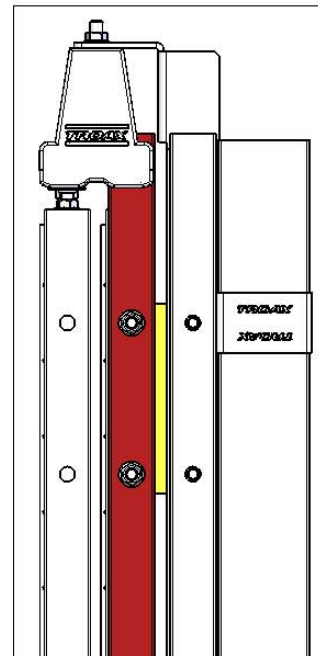
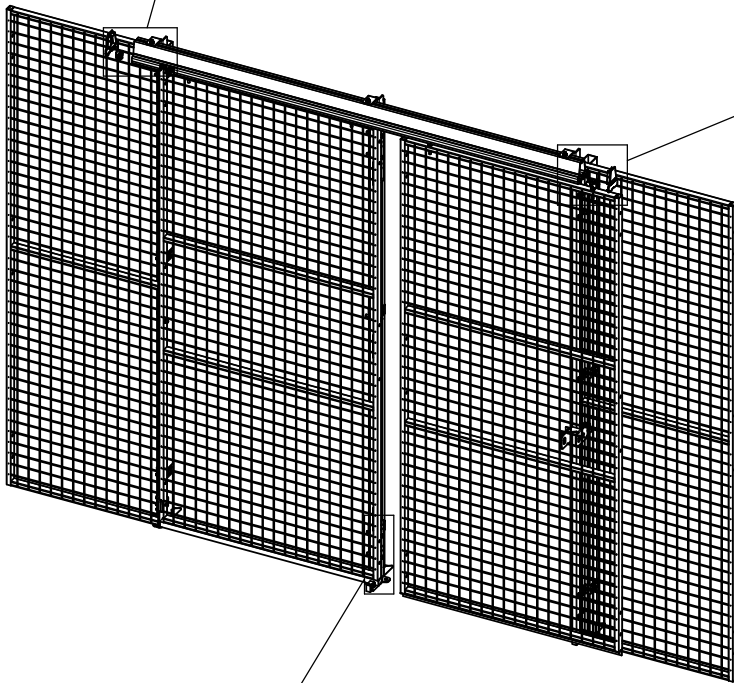
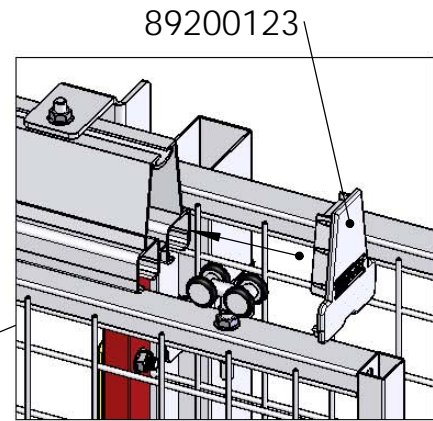
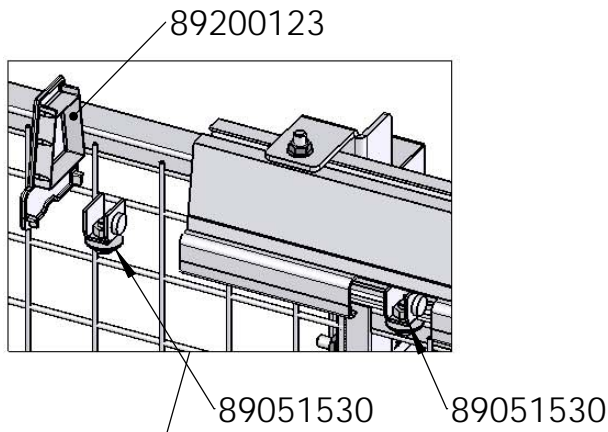
③



26510519




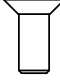




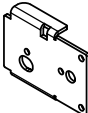
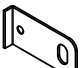

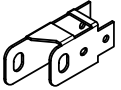
Follow Me



# Caelum UX450 P

## slide door double rail

Follow Me

- ① M8x35  
  
89050042
- ② M8x20  
  
89050143
- ③ M8x65  
  
89050045
- ④ M8x35  
  
89050138
- ⑤ M8  
  
89050525
- ⑥  
  
36700033
- ⑦  
  
36900469
- ⑧  
  
36900099
- ⑨  
  
36700046
- ⑩  
  
36900089

